

# MAGNETIC HOOK (MINI NORDIC RUBBER SERIES)

**INSTRUCTION**

# PXB-GN05M-101



Easy to set and adjust magnet type hook. The Northern European inspired colours add vibrance and life to monotone, dull colored objects like refrigerators and cabinets.

### Features

Orders of over 300 pieces (1 lot) can be requested in special colours.

### Remarks

- Do not slide the body while it is attached as this may damage the surface to which it is attached.
- The load capacity may differ depending on the steel surface to which the product is mounted. Please test the product under actual use conditions before placing items.

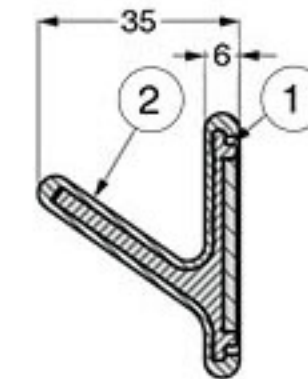
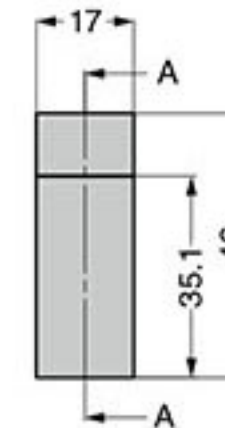
### Variations



Orange    Green Yellow    Navy Blue    Greyish White    Grey

### Set

CAD	Item Code	Item Name	Colour	Load Capacity N	Load Capacity kgf	Weight (g)
2030	110-036-555	PXB-GN05M-101-YR	Orange	10	1.1	32
2030	110-036-556	PXB-GN05M-101-GY	Green Yellow			
2030	110-036-557	PXB-GN05M-101-NB	Navy Blue			
2030	110-036-558	PXB-GN05M-101-GWT	Greyish White			
2030	110-036-559	PXB-GN05M-101-GR	Grey			



Cross-section View A-A

No.	Part Name	Material	Finish
①	Base	Zinc Alloy (ZDC), Neodymium	Nickel Plating
②	Cover	Silicone Rubber (Q)	Plain

### Cover Only \*Order this when replacing only the cover.

CAD	Item Code	Item Name	Colour
2030	110-037-160	PXB-GN05M-101G-YR	Orange
2030	110-037-161	PXB-GN05M-101G-GY	Green Yellow
2030	110-037-162	PXB-GN05M-101G-NB	Navy Blue
2030	110-037-163	PXB-GN05M-101G-GWT	Greyish White
2030	110-037-164	PXB-GN05M-101G-GR	Grey

